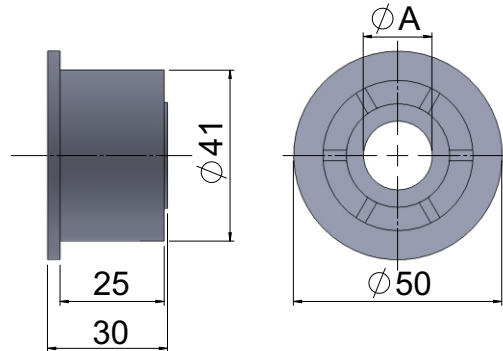




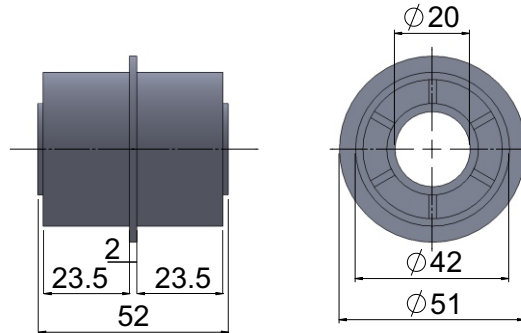
# RETURN ROLLERS

## RR 5127



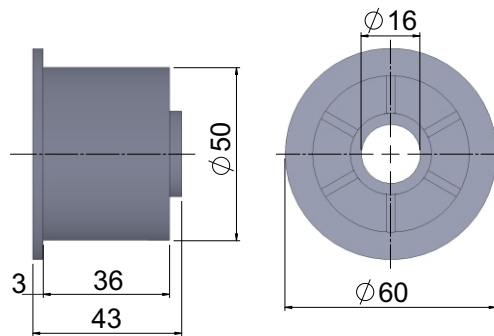
BORE  $\phi A$  -  $\phi 16, \phi 20$   
PART NO . RR 5127  
Material - PA6

## RR 5051



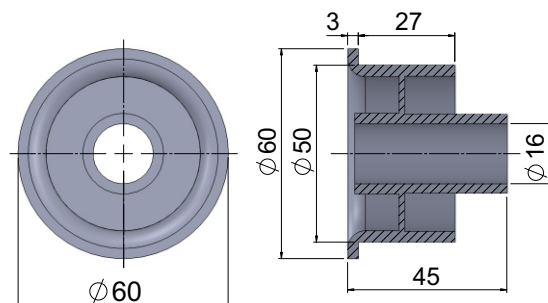
PART NO . RR 5051  
Material - PA6

## RR 6040



PART NO . RR 6040  
Material - PA6

## RR 6045

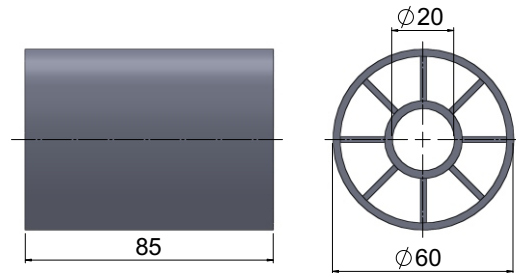


PART NO . RR 6045  
Material - PA6



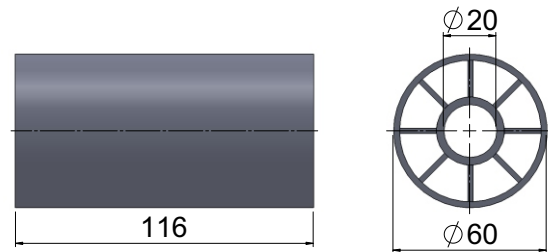
## RETURN ROLLERS

### RR 6083



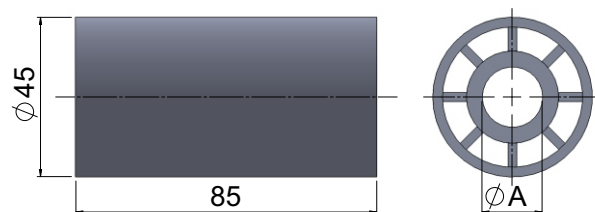
PART NO . RR 6083  
Material - PA6  
Available with cap

### RR 60114



PART NO . RR 60114  
Material - PA6  
Available with cap

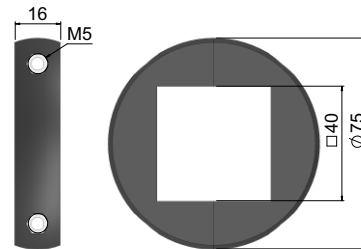
### RR 4585



BORE  $\phi A$  -  $\phi 16, \phi 20$   
PART NO . RR 4585  
Material - PA6

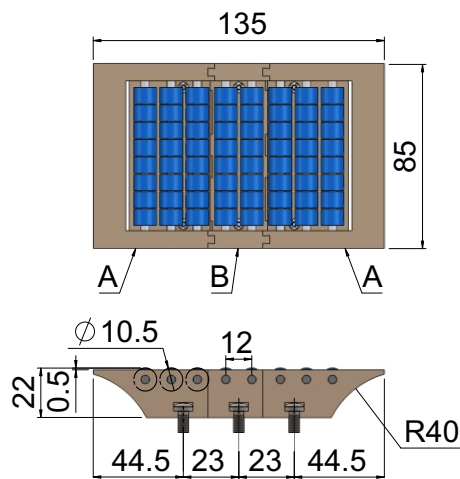


## SPLIT COLLAR(SQUARE)



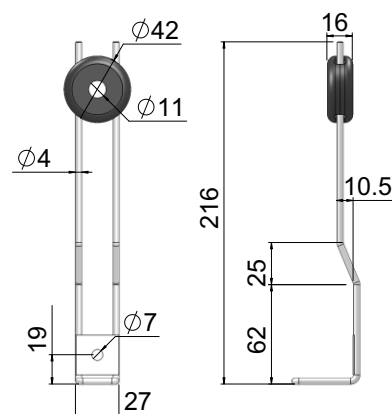
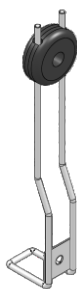
Material - PA6  
Hardware - Stainless steel

## TRANSFER PLATE



Material - POM  
Hardware - Stainless steel

## DRIP TRAY CLAMP



Material - PA6  
Hardware - Stainless steel